

ICS 47.020.40

CCS 24

! 0

GB/T 1.1 2020

1

~~BOOK~~

1 8

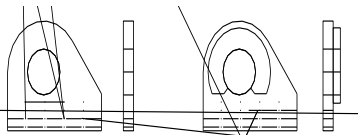
2 8

GB/T 228.1

1

3 2A

1 Ä 4ÄÄ

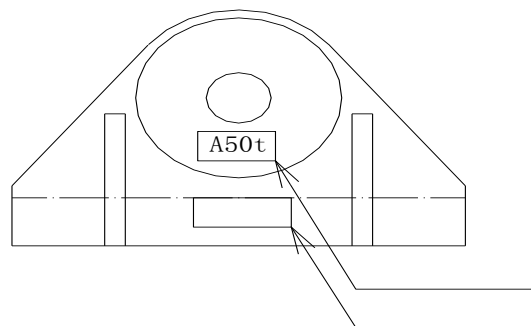
		t
E		10t/20t/30t/40t
Q		1t/2t/5t 10t/15t/20t

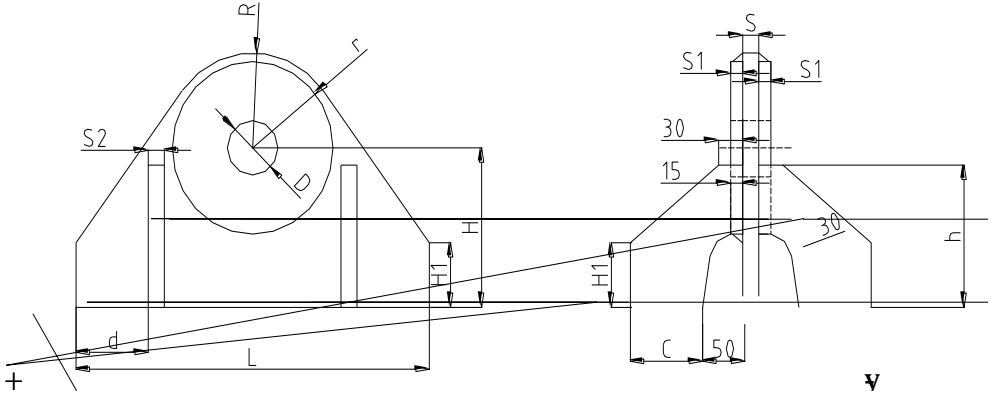
3.2 A

3.2.1 /

3.2.2 A/

1



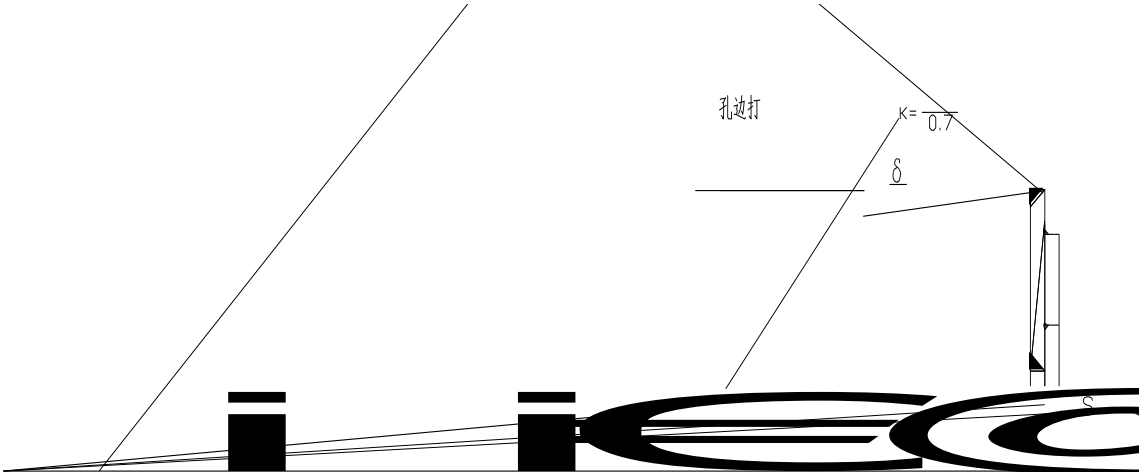


- |    |    |
|----|----|
| D  | S2 |
| R  | L  |
| r  | H  |
| S  | H1 |
| S1 | h  |
| d  | c  |

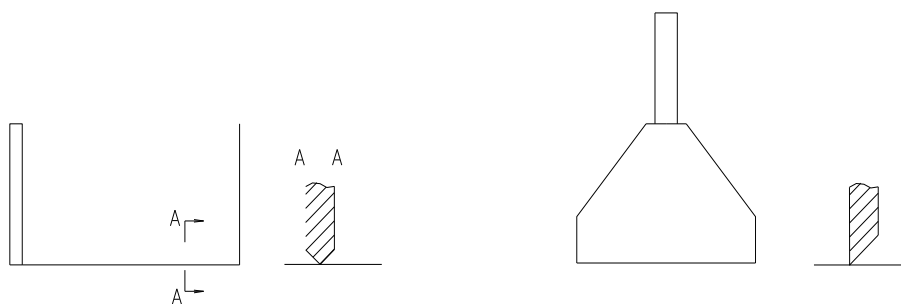
Ø 2 A ~~50~~

× 2 A ~~50~~

	<i>D</i>	<i>R</i>	<i>r</i>	<i>S</i>	<i>S1</i>	<i>S2</i>	<i>L</i>	<i>H</i>	<i>H1</i>	<i>h</i>	<i>c</i>	<i>d</i>	kg
	mm	mm	mm	mm	mm	mm	mm	mm	mm	mm	mm	mm	



D  
R  
r  
S



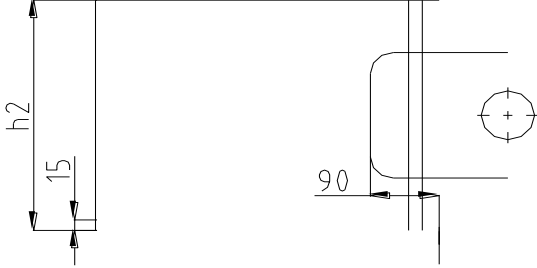
D  
R  
S  
S2  
L

H  
B  
b  
H1

Ø 4 D ~~50~~

≈ 4 D ~~50~~

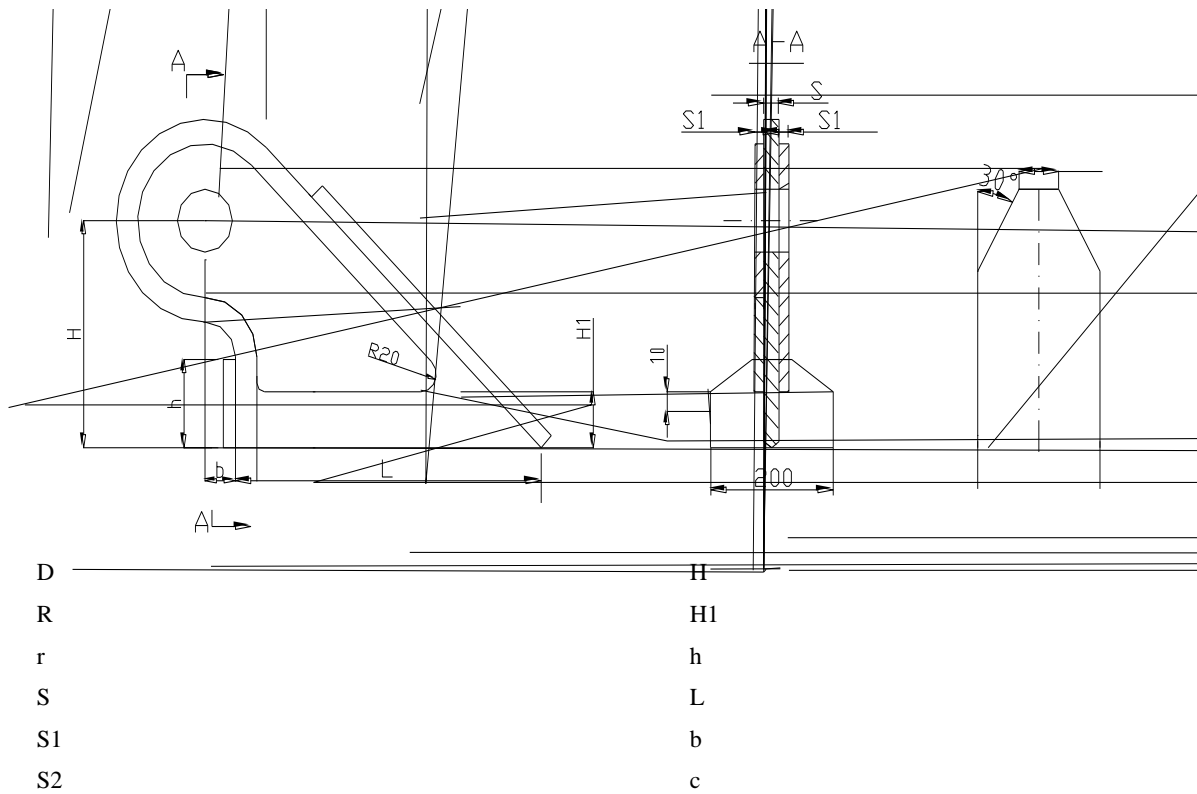
	<i>D</i> mm	<i>R</i> mm	<i>S</i> mm	<i>S2</i> mm	<i>L</i> mm	<i>H</i> mm	<i>H1</i> mm	<i>B</i> mm	<i>b</i> mm	kg
D5t	64	70	16	10	140	135	50	150	40	4
D10t	64	90	20	12	180	145	50	150	50	7
D20t	64	120	25	14	240	160	50	200	55	14
D30t	80	140	30	16	280	185	50	250	60	22
D40t	80	155	34	20	310	195	50	250	70	29



D  
R  
r  
S  
S1 1  
S1 2

S2  
L  
h1  
h2  
b  
c

Ò 5 T 50  
× 5



Ø 6 E 50

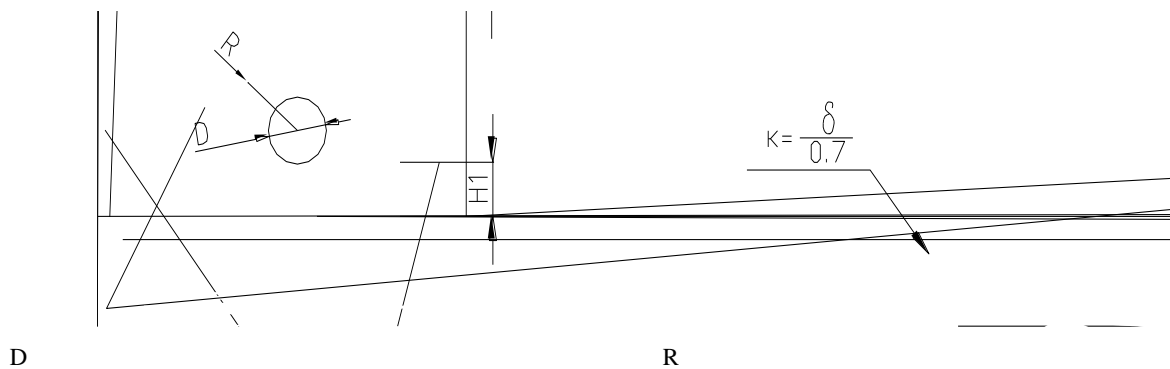
× 6 E 50

	D mm	R mm	r mm	S mm	S1 mm	S2 mm	H mm	H1 mm	h mm	L mm	b mm	c mm	kg
E10t	64	80	70	20	8	20	280	80	150	450	50	70	55
E20t	64	90	80	26	12	20	290	80	150	500	50	80	84
E30t	75	100	90	26	15	20	300	80	150	500	60	90	113
E40t	75	115	100	28	18	22	320	80	150	550	60	100	123

4.6 Q 7

Q

7 7



D

R

r L  
 S H  
 S1 H1

0 7 Q 50

× 7 Q 50

	<i>D</i> mm	<i>R</i> mm	<i>r</i> mm	<i>S</i> mm	<i>S1</i> mm	<i>H</i> mm	<i>H1</i> mm	<i>L</i> mm	kg
Q1t	30	30	-	12	-	60	30	90	0.5
Q2t	30	40	-	14	-	60	40	120	1
Q5t	64	70	-	16	-	90	50	210	3
Q10t	64	90	-	24	-	90	50	270	7
Q15t	64	105	-	30	-	90	50	315	8
Q15t	64	105	95	24	10	100	50	315	10
Q20t	64	120	-	34	-	100	50	360	16
Q20t	64	120	110	24	10	100	50	360	14

5 0L

5.1

GB 1804-2000



5.2

5.7 4M6B

5.8 4B

5.9 6

40t 2  
40t 1.5

5.10

6

6.1

5.1

6.2

5.2

6.3

5.3

6.4 -22-

5.4

6.5 0

5.5

6.6

5.6

6.7 4M6B

UT

5.7

6.8 4B

UT

5.8

6.9 6

GB/T 228.1

5.9

6.10

5.10

7

7.1 2

7.2

7.2.1

a)

b)

7.3.1 NMNN

8

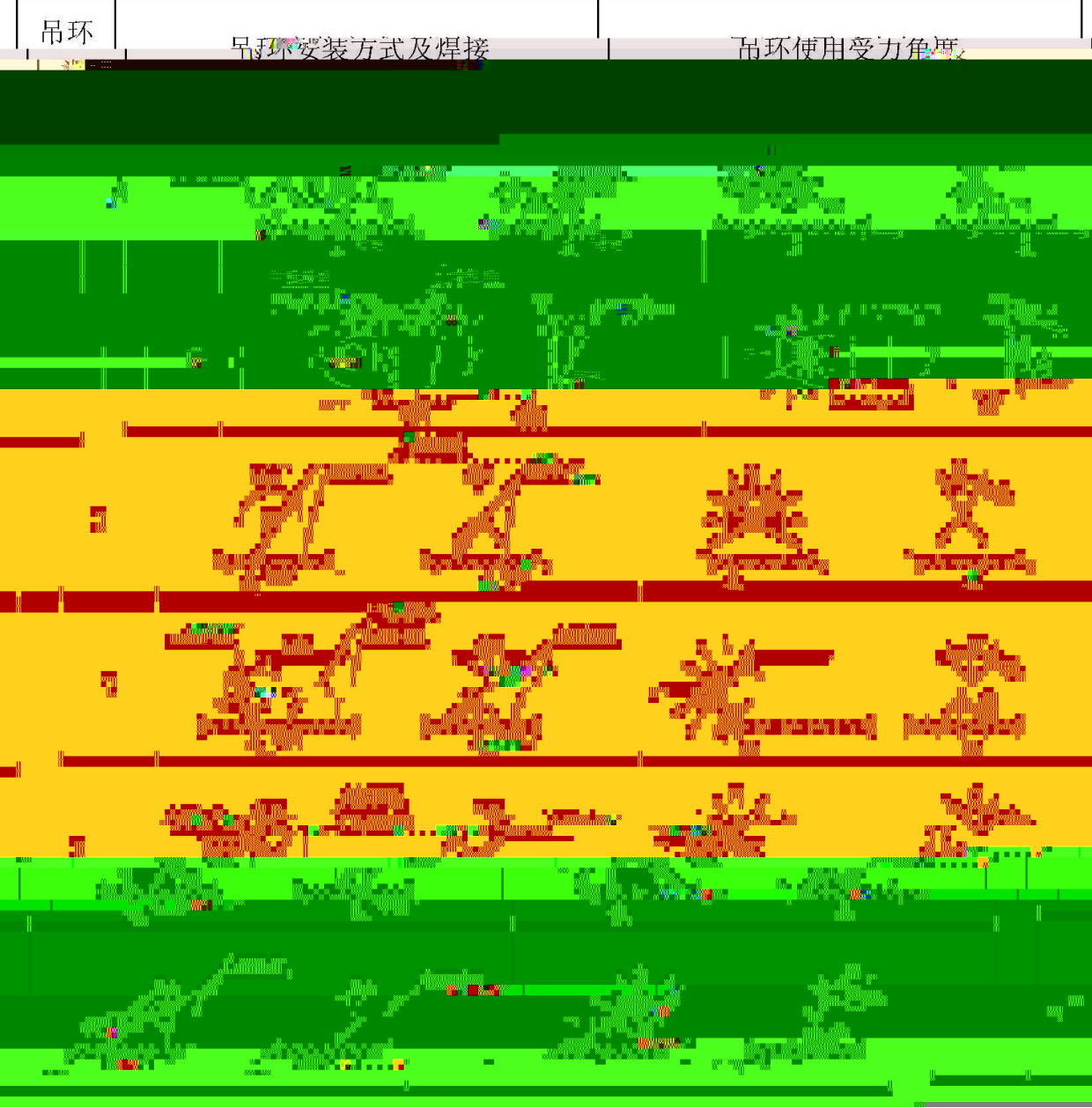
7.3.2 ~~2~~

L )A  
AmA

6SNM

A.1 6SNM

A.1A



20° 30°

80%

A.1 6SNM

L )B  
ÖmÅ

~~ÖmÅ~~

B. 1 6U